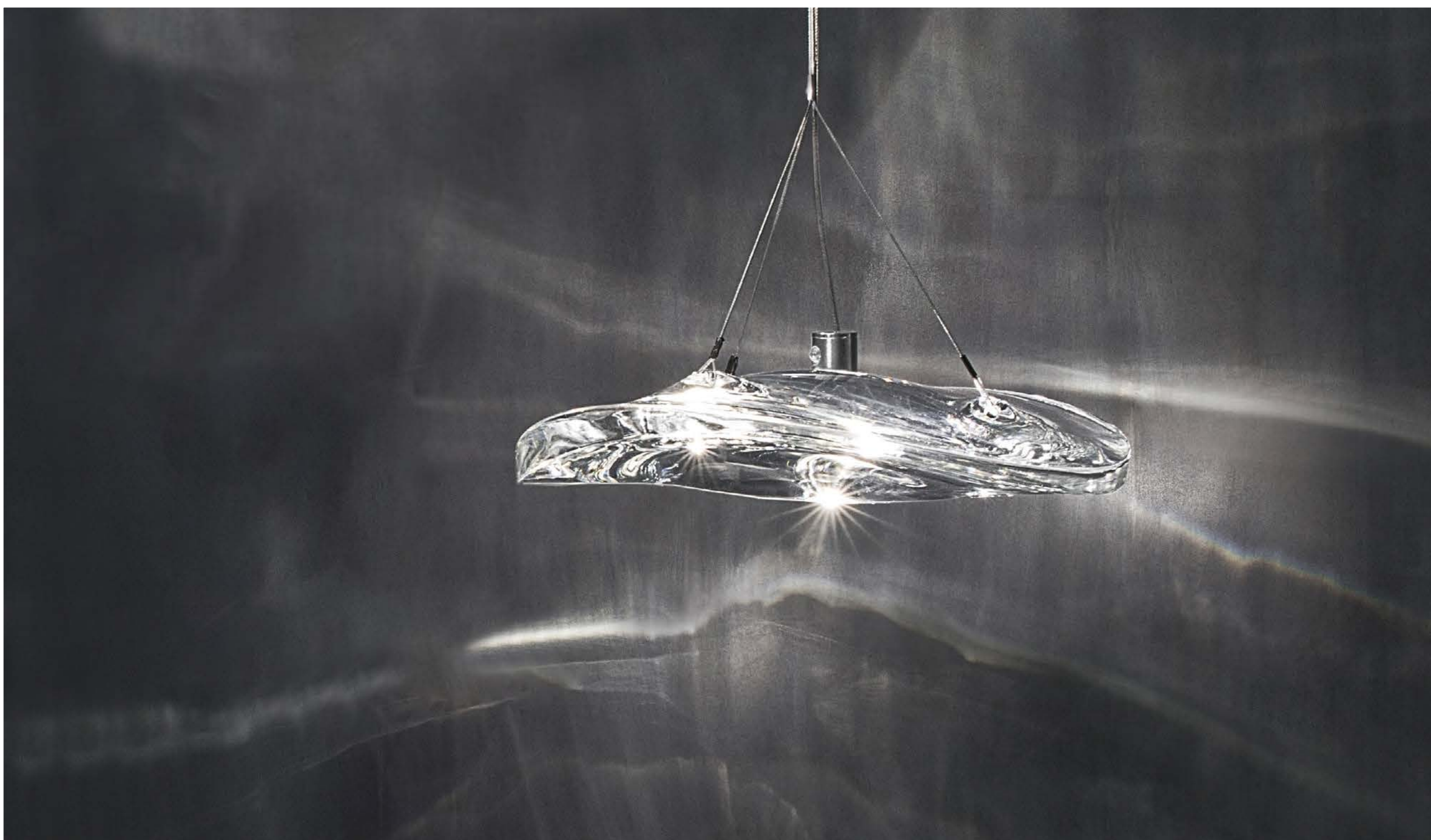


Manta, Shimmering *Waves.*

Manta is the latest design featuring the distinctive crystal first unveiled in Nicolas Terzani's best-selling Mizu. Collaborating with designer Dodo Arslan, the two imaginative minds created a light featuring sinuous, undulating lines. The results are soft waves of crystal light reminiscent of being underwater. The innovative Manta is made of crystal, with a dimmable integrated LED lamp focused on maximizing the crystal's reflection. Manta's organic form is available in two sizes and can be installed in numerous, customizable arrangements. Design Dodo Arslan & Nicolas Terzani.

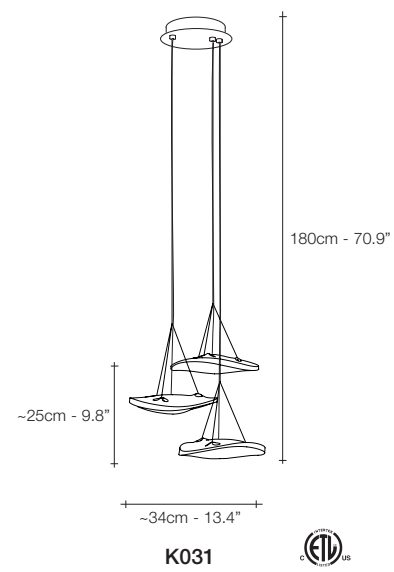
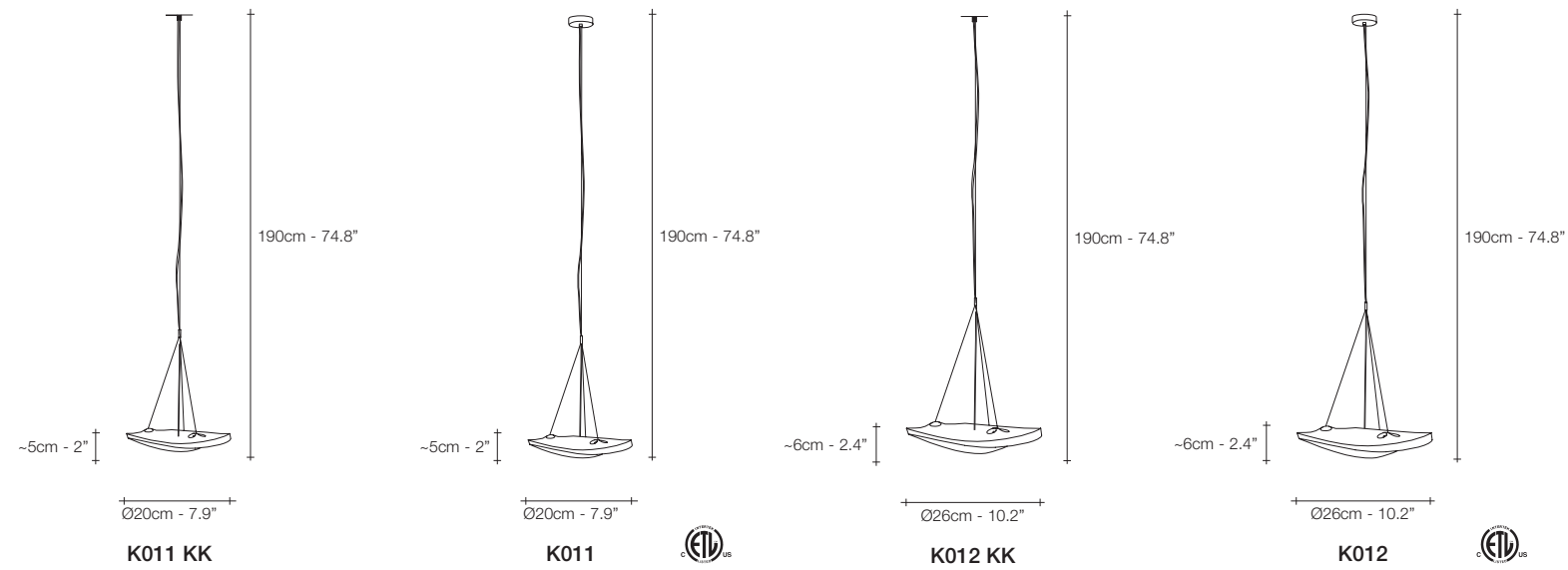












CLEAR CRYSTAL

	K011 KK	K011	K012 KK	K012	K031
230V	Replaceable LED module				
	1,5W	1,5W	1,5W	1,5W	3x1,5W
	3000K	135lm	135lm	135lm	405lm
	2700K	115lm	115lm	115lm	345lm
Dimmable	0/1-10V PUSH/DALI	PUSH/DALI	1-10V PUSH/DALI	PUSH/DALI	1-10V PUSH/DALI
120V	Replaceable LED module				
	1,5W	1,5W	1,5W	1,5W	3x1,5W
	3000K	135lm	135lm	135lm	405lm
	2700K	115lm	115lm	115lm	345lm
Dimmable	0/1-10V PUSH/DALI	no	0/1-10V PUSH/DALI	no	1-10V PUSH

Manta can be manufactured to work with integrated LED 3000K or 2700K. Different dimming options on request. Only 3000K version has the ETL certification.

